

# 500ml Round Container RF Range

## Container

|                        |                        |
|------------------------|------------------------|
| <b>Order Code:</b>     | NXOPFR0500             |
| <b>Description:</b>    | 500 ml Round Container |
| <b>Brimful Volume:</b> | 580 ml                 |
| <b>ISO Volume:</b>     | 550 ml                 |
| <b>Tamper Evident:</b> | Yes                    |

## Material

|             |               |
|-------------|---------------|
| <b>Tub:</b> | Polypropylene |
| <b>Lid:</b> | Polypropylene |

## Weight

|             |          |
|-------------|----------|
| <b>Tub:</b> | 17 grams |
| <b>Lid:</b> | 6 grams  |

## Performance

|                                    |                            |
|------------------------------------|----------------------------|
| <b>Storage Temperature:</b>        | 0°C - 40°C*                |
| <b>Shelf Life:</b>                 | Minimum 12 months          |
| <b>Static Load on bottom Pail:</b> | Maximum 12 kg at 20°C      |
| <b>Suitable for Hot Filling:</b>   | Yes* (Above 70°C See note) |
| <b>Suitable for Tinting:</b>       | No                         |

## Compatibility

Some chemicals, and process parameters, can affect the integrity of the container. The buyer must undertake testing and approval for the container's suitability for the product and application.

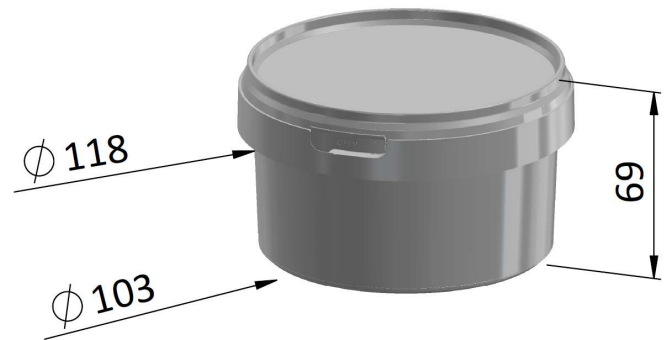
## Regulatory

Raw materials used are REACH compliant, approved for food contact and meet FDA regulations.

Standard tolerance of ±5%

\*Special blends and additives available for non standard conditions.

Specifications can be modified without notice; please contact your OnePlastics representative to ensure you have the most recent information.



## Decoration

|                 |                                 |
|-----------------|---------------------------------|
| <b>Tub IML:</b> | Yes                             |
| <b>Lid IML:</b> | Yes                             |
| <b>Colours:</b> | White, Clear, others on request |

## Palletisation

|   |       |
|---|-------|
| <b>Lid Pallet Quantity:</b>             | 22540 |
| <b>Bucket Pallet Quantity(Empty):</b>   | 3600  |
| <b>Units per layer:</b>                 | 80    |
| <b>Bucket Pallet Quantity (Filled):</b> | 1280  |

